

XC-12 Series

Elevator Control Board

User Manual

Version 2.0

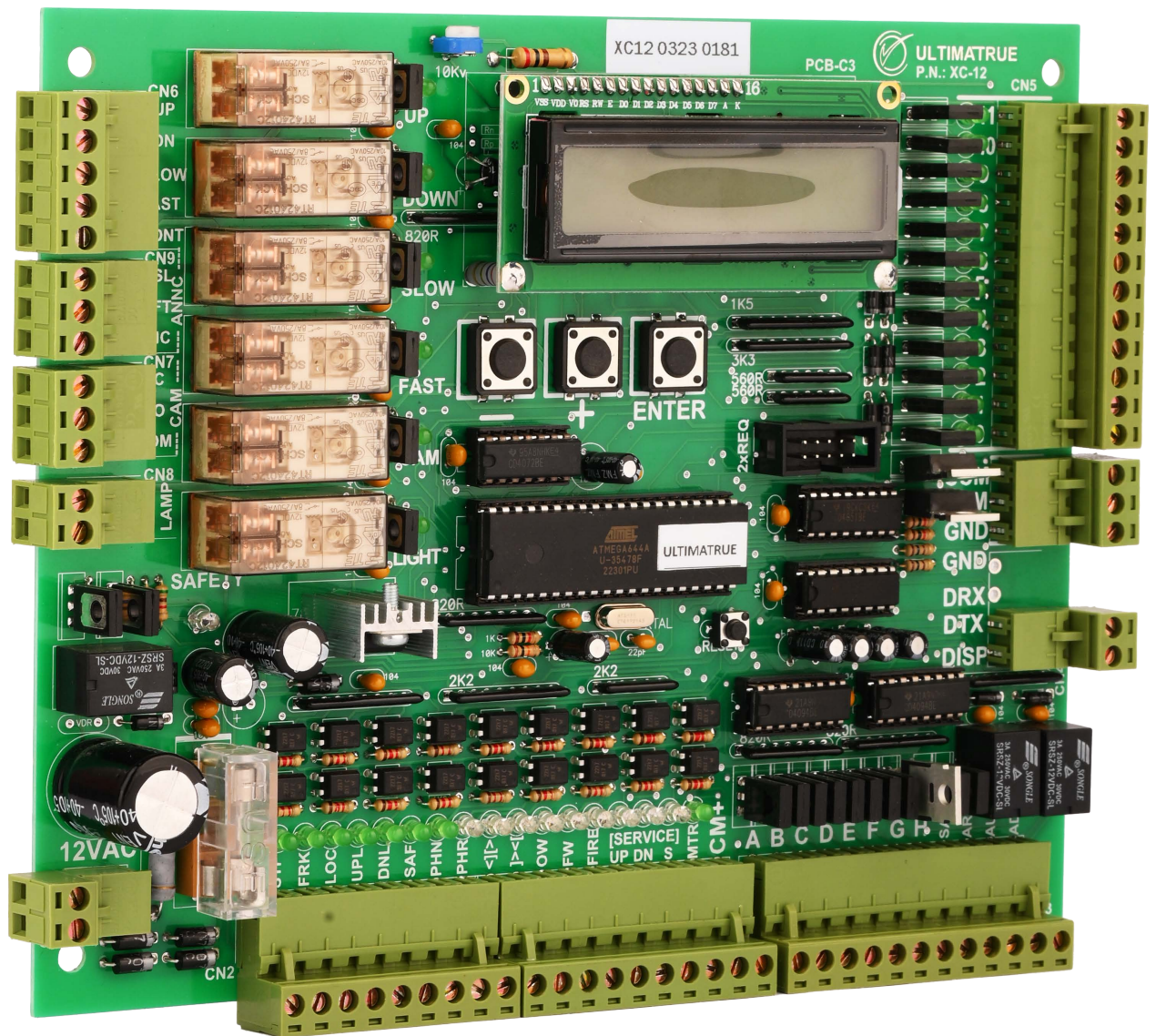


Table of Contents:

1.0	General Description	05
1.1	Table of Locations	06
1.2	Safety Precautions	08
1.2.1	Transport and Inspection	08
1.2.2	Storage	08
1.2.3	Warnings and Hazards	09
2.0	Technical Specifications	10
2.1	Product Description	10
2.2	Basic Settings	12
3.0	Installation and Connections	13
3.1	Car and Shaft	13
3.1.1	SEL	15
3.1.2	STP	15
3.1.3	FRK	16
3.1.4	LOC	16
3.1.5	UPL	16
3.1.6	DNL	16
3.1.7	SAF	17
3.1.8	PHN	17
3.1.9	PHR	17
3.1.10	<][>	18
3.1.11]<>[.....	18
3.1.12	OW	19
3.1.13	FW	19
3.1.14	FIRE	20
3.1.15	SERVICE	21

3.1.16	MTR	21
3.2	Serial Indicator (XD-S)	22
3.3	7-Segment Indicator	24
3.4	Floor Wire Indicator	25
3.5	Car and Landing Calls	27
3.6	Arrow Signals	29
3.7	Gong Signals	30
3.8	Manual Doors	31
3.9	Three-Phase Automatic Doors	32
3.10	Single-Phase Automatic Doors	33
3.11	Single-Phase Semi-Automatic Doors	34
3.12	Two-Speed Systems	35
3.13	Motion Contactors	37
3.14	Phase Correction Board (XPH-1)	39
3.15	Inverter System	40
3.16	Safety Circuits	41
3.17	Magnetic Configuration	43
3.18	Car	45
4.0	Basic Programming	46
4.1	Program P1: Floor Number	48
4.2	Program P2: Display Mode	50
4.3	Program P3: LED Matrix (XD-S)	52
4.4	Program P4: Door Type	54
4.5	Program P5: System Type	55
4.6	Program P6: Collective	56
4.7	Program P7: Wait Time	57
4.8	Program P8: CAM Time	58
4.9	Program P9: Slow Time	59
4.10	Program P10: Fast Time	60
4.11	Program P11: Lamp Time	62
4.12	Program P12: Phase Sequence	63
4.13	Program P13: Keycode	64

5.0	Advanced Programming	65
5.1	Program P14: CAM Trials	67
5.2	Program P15: Fork Time	68
5.3	Program P16: Park Time	69
5.4	Program P17: Operation Timeout	70
5.5	Program P18: Service Telephone	72
5.6	Program P19: Set Password	73
5.7	Program P20: Active Floor	74
5.8	Program P21: Lock Error	76
5.9	Program P22: Max Calls	77
5.10	Program P23: Fire Man	78
5.11	Program P24: Factory Set	80
5.12	Program P25: Service Control (Inspection Mode)	81
6.0	Additional Programming	83
6.1	Binary Indicator (XD-B)	83
7.0	Malfunction Diagnosis	85
7.1	LCD Board Screen	85
7.2	7-Segment Indicator	86
7.3	Serial Indicator (XD-S)	87
8.0	Disclaimer	88
9.0	Warranty	89
	Index	90

List of Tables and Figures:

Table 1.0 - Table of Locations	06
Table 2.0 - Warnings and Hazards	09
Table 3.0 - Product Description	10
Table 4.0 - Model Description	11
Table 5.0 - Basic Settings	12
Table 6.0 - Binary Indicator (XD-B) Programming	84
Table 7.0 - LCD Board Screen Error View	85
Table 8.0 - 7-Segment Indicator Error View	86
Table 9.0 - Serial Indicator Error View	87
Figure 1.0 - Board Layout	07
Figure 2.0 - Car and Shaft Connections	14
Figure 2.2 - Weight Signal Connections	20
Figure 2.1 - MTR Connections	21
Figure 3.0 - Serial Indicator Connections	23
Figure 4.0 - 7-Segment Indicator Connections	24
Figure 5.0 - Floor Wire Indicator Connections	26
Figure 6.0 - Car and Landing Call Connections	28
Figure 7.0 - Arrow Signals Connections	29
Figure 8.0 - Gong Signal Connections	30
Figure 9.0 - Manual Door Connections	31
Figure 10.0 - Three-Phase Automatic Door Connections	32
Figure 11.0 - Single-Phase Automatic Door Connections	33
Figure 12.0 - Single-Phase Semi-Automatic Door Connections	34
Figure 13.0 - Two-Speed System Connections	36
Figure 14.0 - Three-Phase and Brake Connections	38
Figure 15.0 - Phase Correction Board (XPH-1) Connections	39
Figure 16.0 - Inverter System Connections	40
Figure 17.0 - Safety Circuit Connections	42
Figure 18.0 - Magnetic Configuration	44
Figure 19.0 - Car Connections	45
Figure 20.0 - Programming Guide Layout	46

1.0 General Description

The XC-12 series is an elevator control board brand series that is fully designed and manufactured at Ultimatrue Engineering Industries. The XC-12 series user manual operates to serve multiple elevator control board models, which include: XC-12, XC-12XP, and XC-28. The XC-12 series operate up to twelve stops, with additional features to satisfy customer specifications. The XC-12 series supports extensions up to twenty eight stops using the XE-1 extension board and supports all types of brand indicators (XDP-2W & XD-2W, XD-B, and XD-S). The XC-12 series operate using motor types (one-speed, two-speed), all door types (manual, semi-automatic, wait-open automatic, and wait-close automatic), and various elevator call collections, such as: down-collective, simple-collective, and A.P.B (single-call). The XC-12 series contain safety circuits by hardware and by software designed to control speed and direction systems to halt operations if any failures occur in the fork, lock, stop, etc. The XC-12 series provides a total of twenty-five software programs, distributed across basic and advanced programming functionalities, accustomed with a user-friendly menu interface. The XC-12 series also provides built-in fault and error diagnosis information that could be viewed on the LCD board screen, 7-segment indicator, and brand serial indicator (XD-S).

The XC-12 series complies with the international lift safety standards EN 81-20 and EN 81-50.

Ultimatrue Engineering Industries is a certified ISO 9001:2015 and ISO 45001:2018 company.

1.1 Table of Locations

Pointer	Function
1	Controller power supply
2	Shaft connection signals
3	Weight signals
4	Inspection signals
5	Display outputs: 7-segment, binary, floor-wire
6	Semi-automatic signal
7	Arrow directions
8	XE-1 connection socket
9	Car and landing calls
10	Car and landing calls common and GND
11	Serial Indicator
12	Motor speeds - Direction signals
13	Automatic door and Retiring CAM signal
14	Car light signals
15	Gong signals

Table 1.0 - Table of Locations

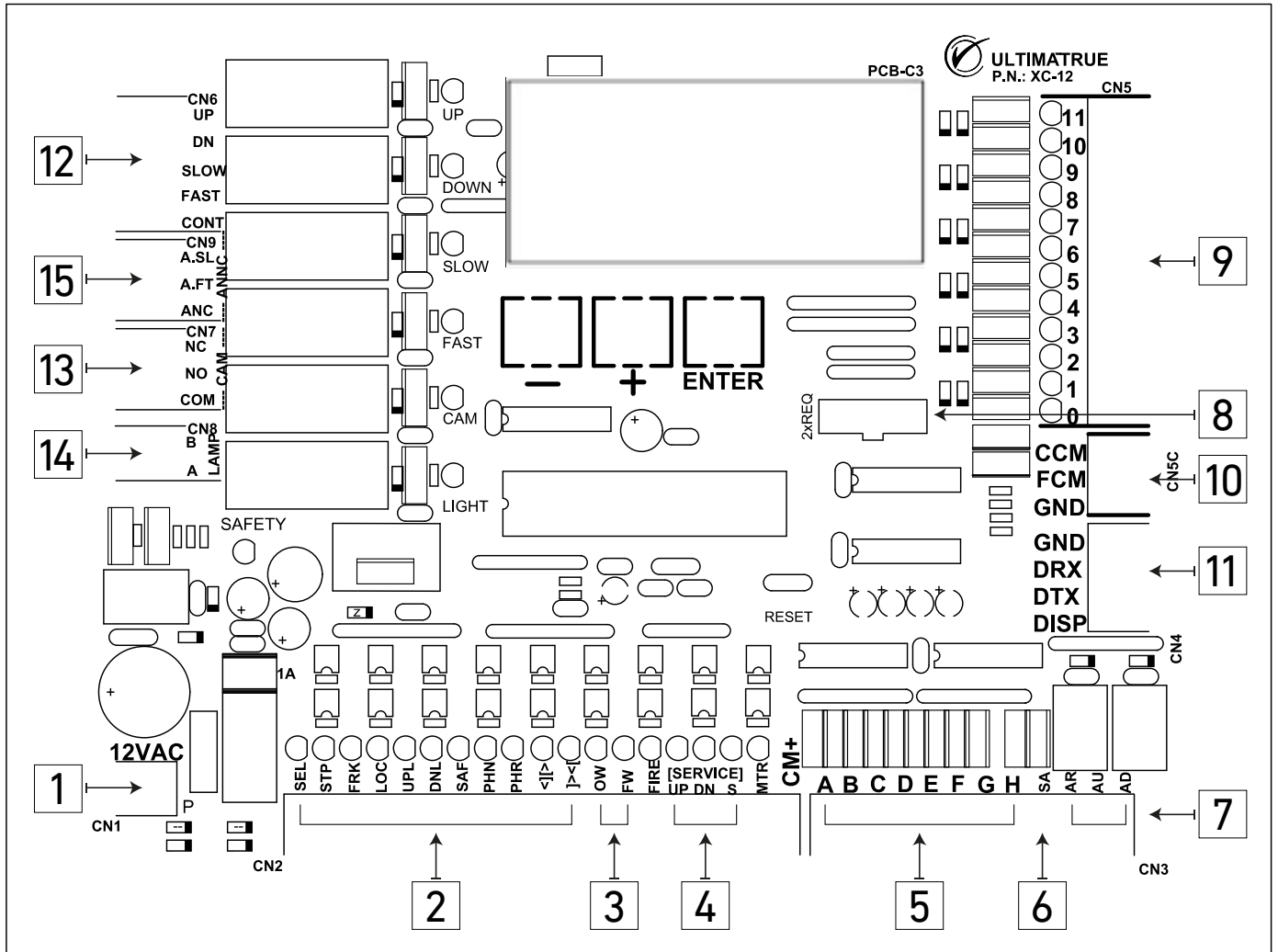


Figure 1.0 - Board Layout

Note:

Please head over to the Installation and Wiring section for more information on the individual inputs/outputs.

1.2 Safety Precautions

To fully benefit from using the XC-12 series please read the user manual carefully before installation and initiating operation. Keep it nearby for future reference whenever necessary.

1.2.1 Transport and Inspection

The units are delivered from the factory ready for installation.

Upon receiving the XC-12 series' units please check that the delivered equipment has not been damaged during transport. If any such damage occurs, a claim must be submitted to the carrier immediately.

After unpacking, the following must be checked:

- The XC-12 series is not damaged.
- The XC-12 series package is sealed.

1.2.2 Storage

The XC-12 series board must be stored under cover in a dry and well-ventilated area until it's installed and ready for operation.

1.2.3 Warnings and Hazards

Before initiating operations, make sure that all connections, wirings, and board connectors are connected properly.




Warnings and Hazards	
	Never install the XC-12 series in places subject to rain, direct sunlight, or places with a degree of high dust.
	The main power terminals must be kept away from the indicator and call terminals.
	Electricity must be turned OFF during the removal or the installation of the XC-12 series board.

Table 2.0 - Warnings and Hazards

2.0 Technical Specifications

2.1 Product Description

Technical Specifications	Description
Board Dimensions	20.5 cm * 16 cm
Maximum Current Consumption	1 A
Protection Fuses	One Fuse (2 A) for shaft supply as protection
Operating Temperature	10° C - 45° C
Storage Temperature	10° C - 60° C
Motor Types	One-speed and two-speed
Drive Types	Contactors and inverters
Car Speed	Up to 1 m/s
Door Types	Manual, semi-automatic, and automatic
Call Collection Types	Down-collective, full-collective, A.P.B (single-call)
Calls Common	CCM (Car Calls Common)
	FCM (Landing Calls Common)

Table 3.0 - Product Description

Models	Control System Types	Number of Stops	Operating Voltages
XC-12	Simplex Control System	Up to 12 stops	12 V AC ($\pm 10\%$)
XC-12XP	Simplex Control System	Up to 12 stops expandable to 28 stops using the extension board (XE-1)	12 V AC ($\pm 10\%$)
XC-28	Simplex Control System	Up to 28 stops	12 V AC ($\pm 10\%$)

Table 4.0 - Model Description

2.2 Basic Settings

Number	Basic Settings							
1	It is recommended to adjust Lock Error ON.							
2	It is recommended to operate the MTR terminal (CN2) to achieve maximum safety during operation.							
3	<p>Make sure the following symbols appear on the LCD board screen when enabling the safety program.</p> <table border="1" data-bbox="695 741 1152 931" style="margin-left: auto; margin-right: auto;"> <tr> <td style="padding: 5px;">F2</td> <td style="padding: 5px;">S4</td> <td style="padding: 5px;">NTLC:: R</td> </tr> <tr> <td style="padding: 5px;">NORM</td> <td style="padding: 5px;">LOCK</td> <td style="padding: 5px;">7</td> </tr> </table>		F2	S4	NTLC:: R	NORM	LOCK	7
	F2	S4	NTLC:: R					
	NORM	LOCK	7					
	Symbol	Function						
	N	Normal Phase Operation = ON						
	R	Reversal Phase Operation = ON						
	T	Operation Timeout = ON						
L	Lock Error = ON							
C	Keycode = ON							

Table 5.0 - Basic Settings

3.0 Installation and Connections

3.1 Car and Shaft

The terminals of the Car and Shaft are connected as illustrated in Figure 2.0.

- The Car and Shaft terminals (CN2) are responsible for the selector magnet switches, the floor level magnetic switches, the direction limit switches, the inspection terminals, the overweight terminal, the full weight terminal, the fire unit terminal, and the safety circuit terminals, which include: the stop, the fork, and the lock terminals.
- The Car and Shaft terminals (CN2) are different in contact connections, either NO (Normally Open) or NC (Normally Closed), whether the connections are direct to the XC-12 series or indirect through an external relay as illustrated in Figure 2.0.
- The Car and Shaft terminals (CN2) are supplied from CM+ (CN2).

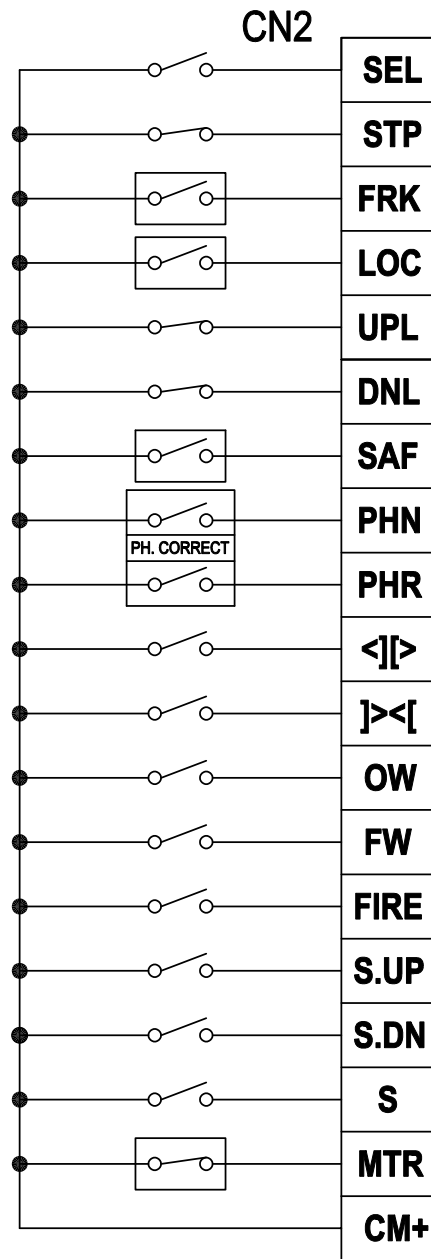






Figure 2.0 - Car and Shaft Connections

Note:

-  Directly connected NO contact
-  Directly connected NC contact
-  Indirectly connected NO contact via relay
-  Indirectly connected NC contact via relay

3.1.1 SEL

The SEL terminal (CN2) is responsible for the counter operation and the speed switching from the fast to the slow speed in the XC-12 series. The SEL terminal (CN2) is directly connected to its assigned magnetic switch, a NO (Normally Open) switch, which switches states according to the detected magnetic elevator strips installed in the shaft, enabling the counter to increment or decrement according to the direction of motion. The incrementation and decrementation process is viewed on the LCD board screen of the XC-12 series.

Note:

Each floor is assigned two magnetic elevator strips for the appropriate magnetic switch, which are recognized and counted by the program. The selector magnetic switch is responsible for switching the car's speed, from fast to slow.

3.1.2 STP

The STP terminal (CN2) is responsible for stopping the car at its desired floor level. The STP terminal (CN2) is directly connected to its assigned magnetic switch, a NC (Normally Closed) switch, which switches states according to the detected magnetic elevator strips installed in the shaft.

Note:

Each floor is assigned one magnetic elevator strip for the appropriate magnetic switch. The magnetic elevator strip installed in the shaft should be placed in a suitable position so that the level of the car is well-aligned with the level of the floor.

3.1.3 FRK

The FRK terminal (CN2) is responsible for the safe operations of the floor door contacts. The FRK terminal (CN2) is connected to the door contacts of each floor, through an external relay. The connections of the FRK terminal (CN2) are furtherly illustrated in Figure 17.0.

3.1.4 LOC

This LOC terminal (CN2) is responsible for the safe operations of the floor door lock contacts. The LOC terminal (CN2) is connected to the door lock contacts of each floor, through an external relay. The connections of the LOC terminal (CN2) are furtherly illustrated in Figure 17.0.

3.1.5 UPL

The UPL terminal (CN2) is responsible for speed switching on the uppermost floor. The UPL terminal (CN2) is directly connected to it's assigned NC (Normally Closed) up-limit switch in the shaft.

3.1.6 DNL

The DNL terminal (CN2) is responsible for the speed switching on the ground floor. The DNL terminal (CN2) is directly connected to it's assigned NC (Normally Closed) up-limit switch in the shaft.

3.1.7 SAF

The SAF terminal (CN2) is responsible for stopping the car due to an action performed from the over-speed governor, the inspection box stop, the car emergency stop, the pit stop, and the car buffer. The SAF terminal (CN2) is connected to the NC (Normally Closed) contacts of the safety stop circuits mentioned, through an external relay. The connections of the SAF terminal (CN2) are furtherly illustrated in Figure 17.0.

3.1.8 PHN

The PHN terminal (CN2) is used as an indication for normal phase sequence, which is connected to an external phase sequence or correction device. In case phases are normal, the PHN terminal (CN2) is activated and the car motion direction is normal.

Note:

If both of the PHN and PHR are activated or deactivated together, the board wil enter the 'out of servce' mode and display a phase fail error message.

3.1.9 PHR

The PHR terminal (CN2) is used as an indication for phase sequence reversal, which is connected to an external phase sequence or correction device. In case phases are reversed, the PHR terminal (CN2) is activated and the car motion dirction is corrected.

Note:

If both of the PHN and PHR are activated or deactivated together, the board wil enter the 'out of servce' mode and display a phase fail error message.

3.1.10 <][>

The '<][>' terminal (CN12) is responsible for the fast opening of the car's automatic door. The '<][>' terminal (CN2) is connected to the NO (Normally Open) contacts of the push buttons of the COP (Car Operating Panel).

Note:

This terminal only operates if the car is on the same level as the floor and the door type installed is automatic.

3.1.11]<>[

The ']<>[' terminal (CN12) is responsible for the fast closing of the car's automatic door. The ']<>[' terminal (CN2) is connected to the NO (Normally Open) contacts of the push buttons of the COP (Car Operating Panel).

Note:

This terminal only operates if the car is on the same level as the floor and the door type installed is automatic.

3.1.12 OW

The OW (Overweight) terminal (CN2) is responsible for ensuring the car remains idle in case of excessive weight in the car. The OW (Overweight) terminal (CN2) is connected to the NO (Normally Open) terminal of the overweight signal in the weight detection device as illustrated in Figure 2.2.

Note:

The OW (Overweight) signal in the car is activated until the required weight of the car is in the appropriate range of operation, once the OW (Overweight) signal is deactivated, the car regains its normal operation conditions.

3.1.13 FW

The FW (Full Weight) terminal (CN2) is responsible for ensuring the car lands on the requested car calls and denies external calls, until the required weight in the car is in the appropriate range of operation. The FW (Full Weight) terminal (CN2) is connected to the NO (Normally Open) terminal of the full weight signal in the weight detection device as illustrated in Figure 2.2.

Note:

The FW (Full Weight) signal in the car is activated until the required weight of the car is in the appropriate range of operation, once the FW (Full Weight) signal is deactivated, the car is ready to execute external call requests again.

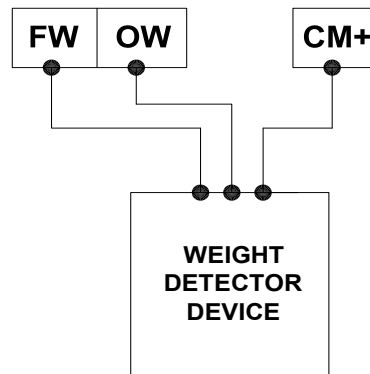


Figure 2.1 - Weight Signal Connections

3.1.14 FIRE

The FIRE terminal (CN2) is responsible for determining the default action provided by the XC-12 series according to the action of the external fire alarm unit. In case of fire hazards, the car will immediately move to the assigned fire floor. The FIRE terminal (CN2) is directly connected to the NO (Normally Open) contacts of an external fire alarm unit if present.

The methods for operation of the FIRE terminal (CN2), Program P23: Fire Man (Section 5.10) are explained in the following section.

- When the car moves in the direction of the programmed fire floor, all the registered car calls are canceled and the car will continue to move to its defined floor.
- If the car moves in the opposite direction of the programmed fire floor, all the registered car calls are canceled and the motion speed is switched to slow and the car will move for four seconds and stop shortly after. Afterwards, the car will then move to its defined floor.

3.1.15 SERVICE

The SERVICE terminals (CN2) are responsible for enabling the operator to move the car in the inspection mode using the following three terminals S, UP, and DN. The S terminal (CN2) is connected to the inspection selector switch in the inspection box. The UP terminal (CN2) is connected to the UP NO (Normally Open) push button in the inspection box to move the car in the upward direction. The DN terminal (CN2) is connected to the DOWN NO (Normally Open) push button in the inspection box to move the car in the downward direction.

3.1.16 MTR

The MTR (Motor overcurrent) terminal (CN2) is responsible for detecting the motor overcurrent signal through an external device. The MTR terminal (CN2) is directly connected to the NC (Normally Closed) contact terminals of the respective fast speed overload and slow speed overload. The series connections present for the MTR terminal (CN2) is illustrated in Figure 2.1.

Note:

In case of a resulting overcurrent in the motor, the car continues it’s motion and stops on the nearest floor to safely evacuate passengers.

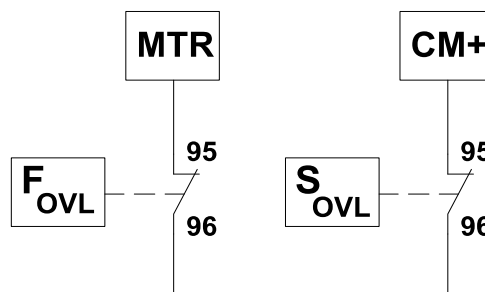


Figure 2.2 - MTR Connections

3.2 Serial Indicator (XD-S)

The terminals of the Serial Indicator are connected as illustrated in Figure 3.0.

Note:

The Serial Indicator (XD-S) can operate simultaneously with the 7-Segment Indicator or the Binary Indicator (XD-B) or the Floor Wire Indicator.

- The positive terminal (+12V) of the Serial Indicator (XD-S) is connected to the positive bridge terminal (+12V).
- The GND terminal of the Serial Indicator (XD-S) is connected to the negative bridge terminal (-12V).
- The DISP terminal of the Serial Indicator (XD-S) is connected to the DISP terminal (CN4) of the XC-12 series.
- It is recommended to connect the negative terminal of the bridge (-12V) to the GND terminal (CN5C) of the XC-12 series.

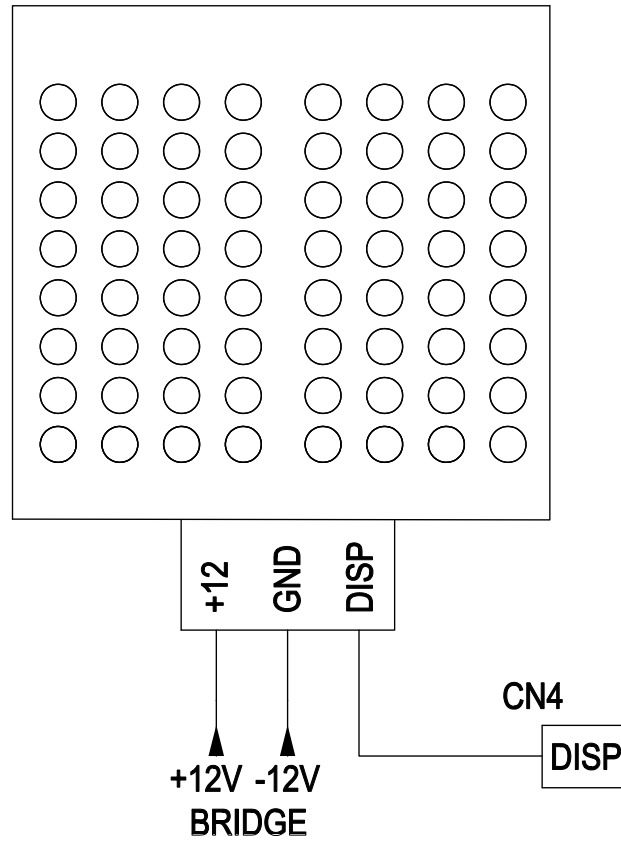


Figure 3.0 - Serial Indicator Connections

3.3 7-Segment Indicator

The terminals of the 7-Segment Indicator are connected as illustrated in Figure 4.0.

- The positive terminal of the 7-Segment Indicator (+12V) is connected to the positive terminal of the external bridge (+12V).
- Terminals A, B, C, D, E, F, G and H of the 7-Segment Indicator are connected to the replicate lettered terminals (CN3) on the XC-12 series.
- It is recommended to connect the negative terminal of the external bridge (-12V) to the GND terminal (CN5C) of the XC-12 series.

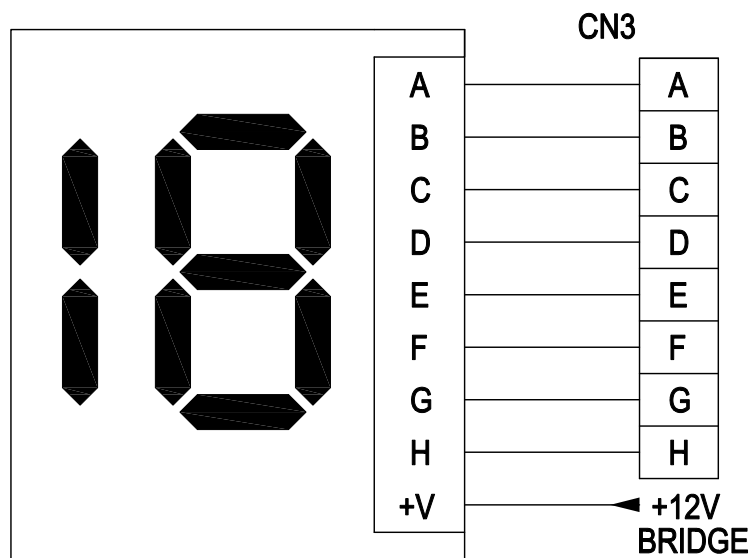


Figure 4.0 - 7-Segment Indicator Connections

3.4 Floor Wire Indicator

The terminals of the Floor Wire Indicator are connected as illustrated in Figure 5.0 for a maximum of eight stops.

- The positive terminal of the Floor Wire Indicator (+12V) is connected to the positive terminal of the external bridge (+12V).
- Terminals A, B, C, D, E, F, G and H of the Floor Wire Indicator are connected to the replicate lettered terminals (CN3) on the XC-12 series.
- In case the number of stops exceed eight stops and are up to twelve stops, the number of displays can be extended to accommodate twelve displays using the extension board (XE-1) through the following steps:
 - Internal call terminals from (0-3) on the extension board are used as car calls for stops from (9-12).
 - External call terminals from (0-3) on the extension board are used as landing calls for stops from (9-12).
 - Internal call terminals from (4-7) on the extension board (XE-1) are used as Floor Wire Indicator terminals for stops from (9-12).
- It is recommended to connect the negative terminal of the bridge (-12V) to the GND terminal (CN5C) of the XC-12 series.

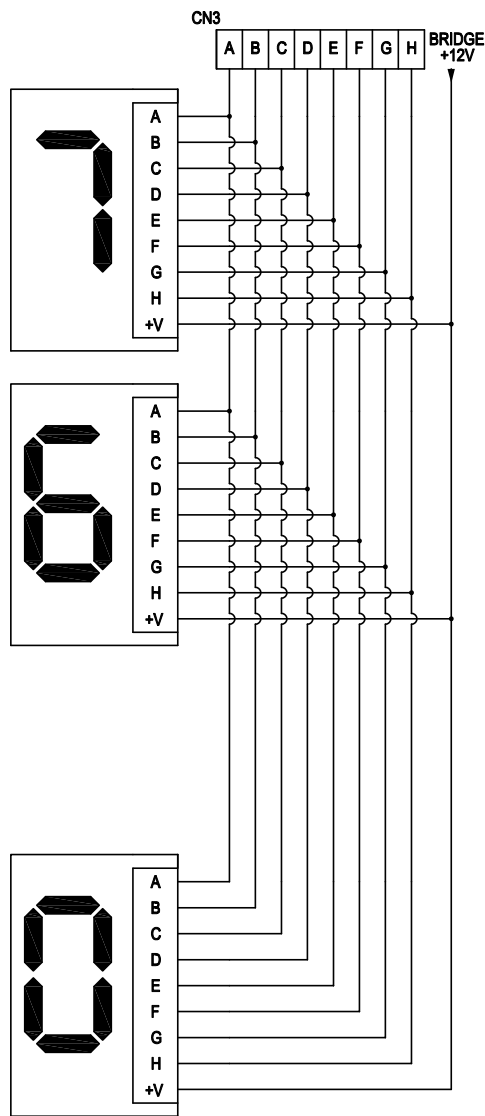


Figure 5.0 - Floor Wire Indicator Connections

3.5 Car and Landing Calls

The Car (internal) and Landing (external) Call terminals are connected as illustrated in Figure 6.0.

- The first terminal of the CPBB (Car Push Button Bulb) is connected to the positive terminal of the external bridge (+12V).
- The second terminal of the CPBB (Car Push Button Bulb) should be connected to the call terminal (CN5) on the XC-12 series with one terminal of the CPBC (Car Push Button Contact).
- The second terminal of the CPBC (Car Push Button Contact) is connected to the CCM terminal (CN5C) on the XC-12 series board for COP (Car Operating Panel) car calls. In case of the LOP (Landing Operating Panel) landing calls, the terminal of the CPBC (Car Push Button Contact) is connected to the FCM (Landing Call Common) terminal (CN5C) on the XC-12 series board.
- It is recommended to connect the negative terminal of the external bridge (-12V) to the GND terminal (CN5C) of the XC-12 series.
- It is recommended to use a 1A diode between the CPBB (Car Push Button Bulb) and the CPBC (Car Push Button Contact) to avoid dim lighting on push button call, caused by cable noise.

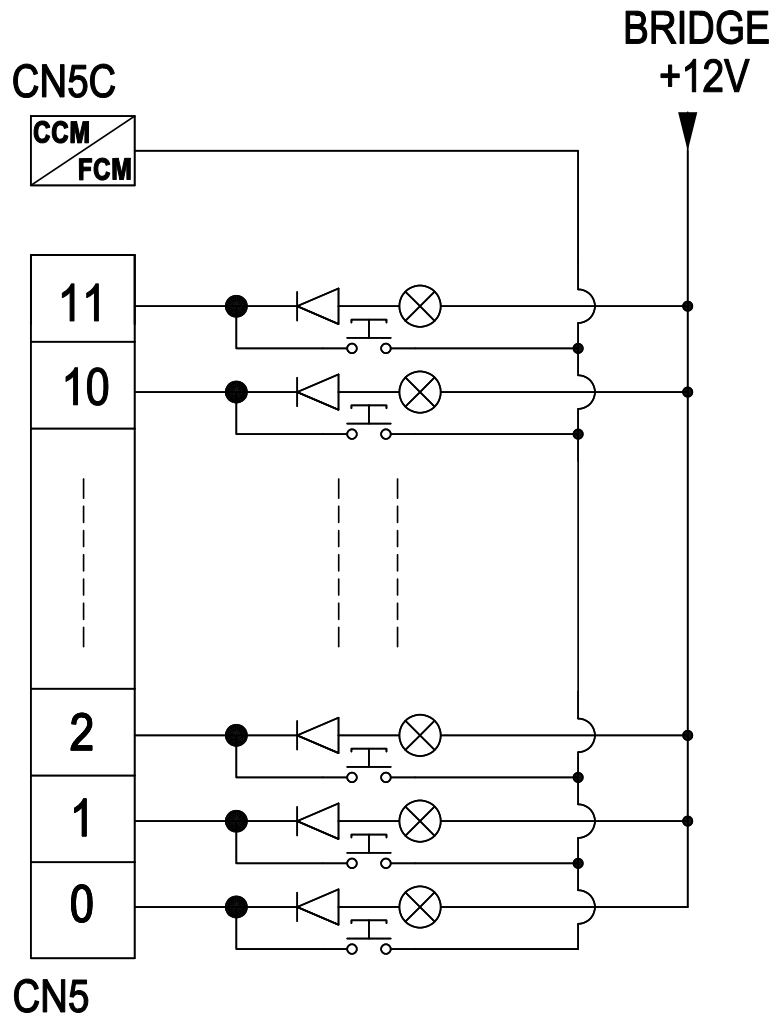


Figure 6.0 - Car and Landing Call Connections

3.6 Arrow Signals

The terminals of the Arrows (up and down) are connected as illustrated in Figure 7.0.

- Figure 7.0 illustrates the installation and wiring of the Arrow Signals.
- The AU terminal (CN3) is connected to the first terminal of the UP Arrow LED and the second terminal is connected to the positive external bridge terminal (+12V).
- The AD terminal (CN3) is connected to the first terminal of the DOWN Arrow LED and the second terminal is connected to the positive external bridge terminal (+12V).
- The AR terminal (CN3) is connected to the negative terminal of the external bridge (-12V).

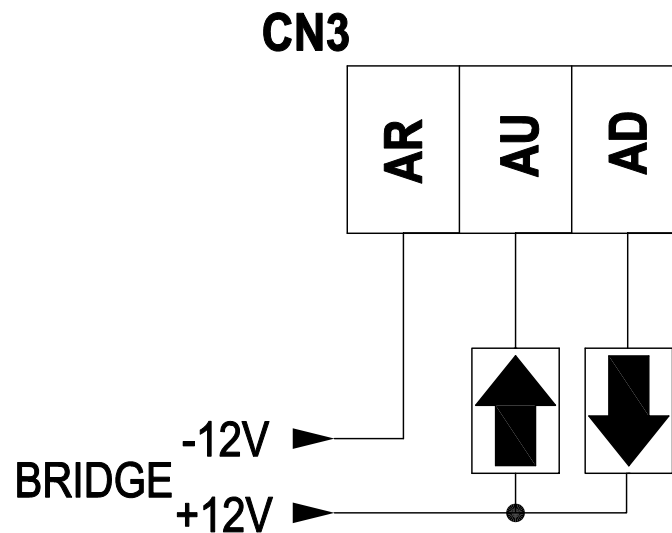


Figure 7.0 - Arrow Signals Connections

3.7 Gong Signals

The terminals of the Gong Signals (Fast and Slow) are connected as illustrated in Figure 8.0.

- The ANC terminal (CN9) is connected to the negative terminal of the bridge (-12V).
- The A.FT terminal (CN9) is connected to the first terminal of the Fast Gong and the second terminal is connected to the positive terminal of the external bridge (+12V).
- The A.SL terminal (CN9) is connected to the first terminal of the Slow Gong and the second terminal is connected to the positive terminal of the external bridge (+12V).

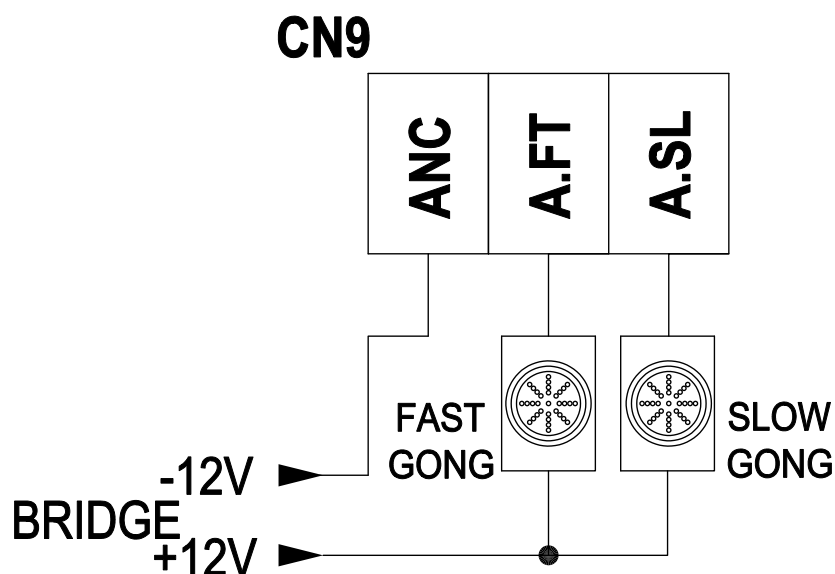


Figure 8.0 - Gong Signal Connections

3.8 Manual Doors

The Manual Door operating terminals are wired and connected as illustrated in Figure 9.0.

- The CAM connector is responsible for operating the doors.
- For Manual Doors operating through a Retiring CAM, the external CAM contactor is connected to the XC-12 series as illustrated in Figure 9.0.
- The Retiring CAM is operated by the DC voltage of the external bridge through the contactor as illustrated in Figure 9.0.

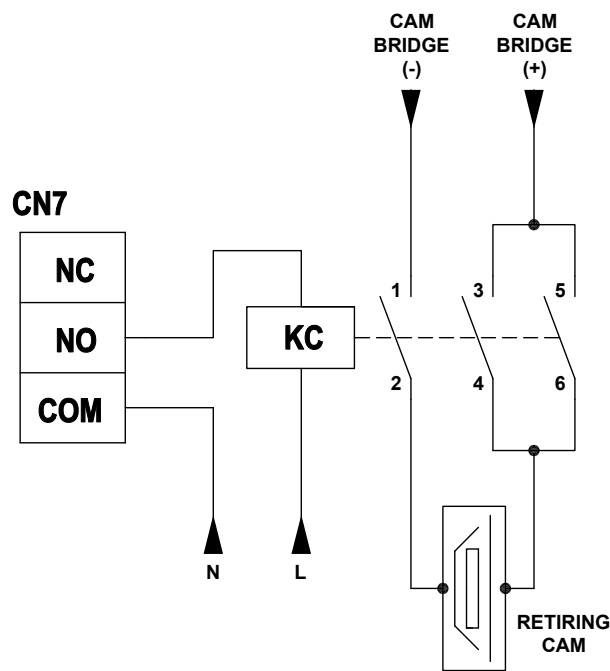


Figure 9.0 - Manual Door Connections

3.9 Three-Phase Automatic Doors

The terminals of operating the Three-Phase Automatic Door are wired and connected as illustrated in Figure 10.0.

- Operating the Three-Phase Automatic Door requires two contactors for opening and closing.
- The Normally Open (NO) terminal (CN7) is responsible for closing the Three-Phase Automatic Door.
- The Normally Closed (NC) terminal (CN7) is responsible for opening the Three-Phase Automatic Door.
- The terminals of the closing and opening limit switches must be combined into the Three-Phase Automatic Door operation circuit as illustrated in Figure 10.0.

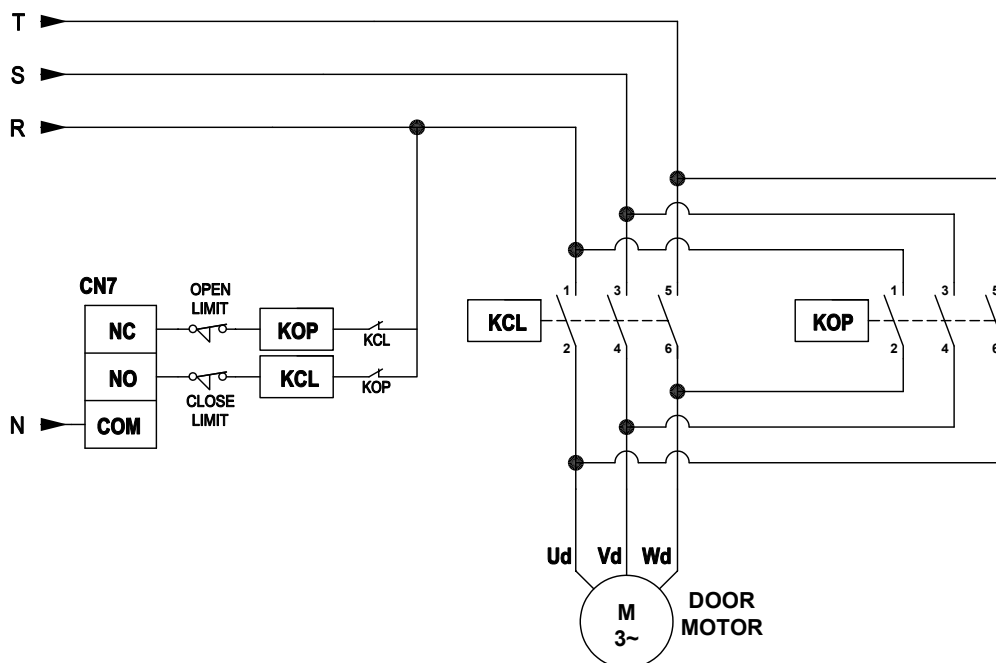


Figure 10.0 - Three-Phase Automatic Door Connections

3.10 Single-Phase Automatic Doors

The terminals of operating the Three-Phase Automatic Door are wired and connected as illustrated in Figure 11.0.

- The Single-Phase Automatic Door signals are connected to the terminals of the CAM connector (CN7) in the XC-12 series as the following:
- The Normally Open (NO) terminal (CN7) is connected to the Single-Phase Automatic Door closing signal.
- The Normally Closed (NC) terminal (CN7) is connected to the Single-Phase Automatic Door opening signal.
- The COM signal of the Single-Phase Automatic Door is connected to the CAM relay COM (CN7) of the XC-12 series.

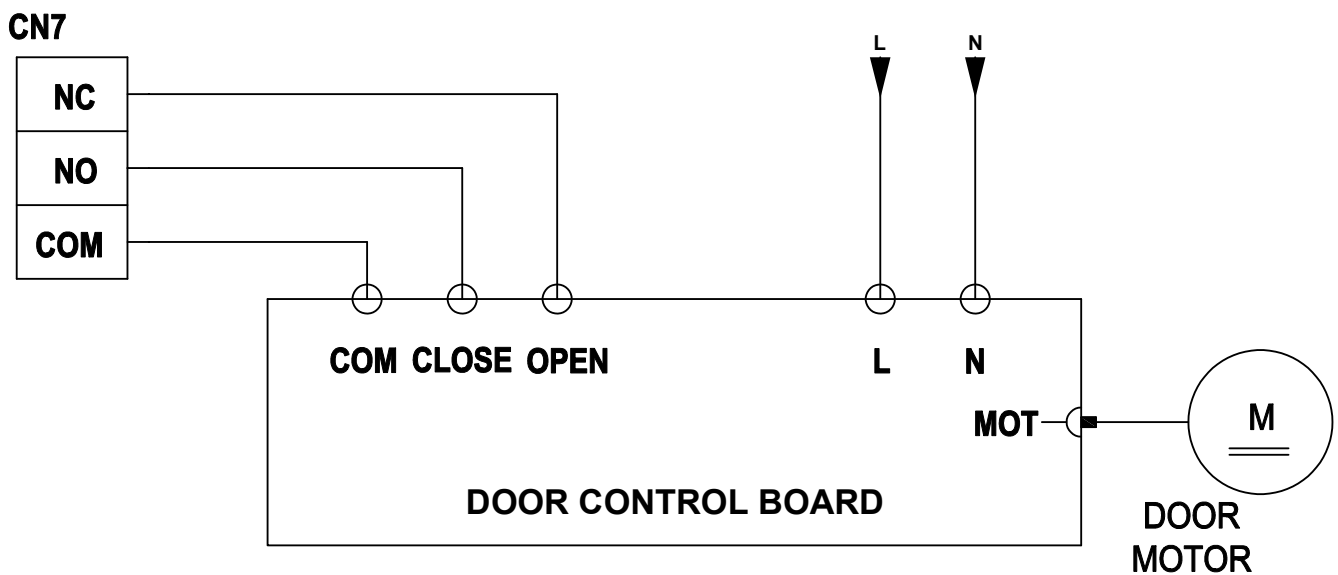


Figure 11.0 - Single-Phase Automatic Door Connections

3.11 Single-Phase Semi-Automatic Doors

The terminals of the Single-Phase Semi-Automatic Door are wired and connected as illustrated in Figure 12.0 and section 3.10.

- The CAM connector (CN7) is used to connect the Single-Phase Semi-Automatic Door, using the same connections described in section 3.10.
- An external relay (12V DC) is used to connect the CAM contactor and SA terminal (CN3) on the XC-12 series board as illustrated in Figure 12.0.

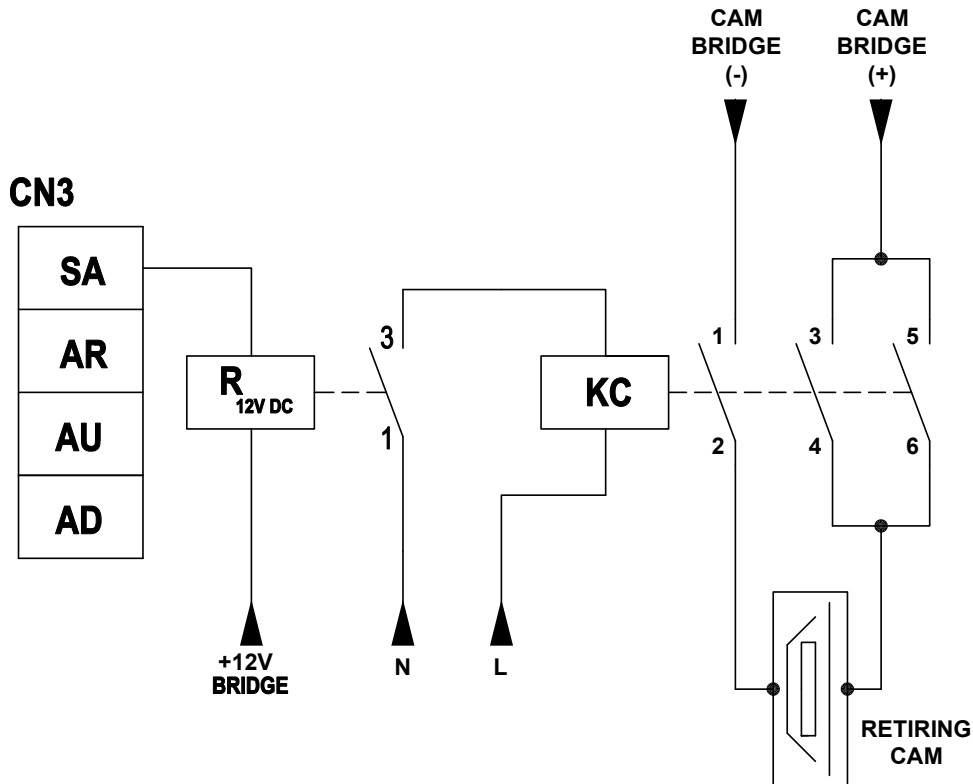


Figure 12.0 - Single-Phase Semi-Automatic Door Connections

3.12 Two-Speed Systems

The terminals of operating the Two-Speed System with contactors are wired and connected as illustrated in Figure 13.0.

- The motion signal terminal (CN6) is connected as illustrated in Figure 13.0.
- The Up and Down relays on the board are electrically interlocked ensuring safe direction switching in case of failure.
- The CONT terminal (CN6) should be cut off through NO (Normally Open) contacts in the safety circuits relays before connecting it to the other terminal of the contactors coil supply, so that the car can't move unless the safety circuits are completed.
- For more safety, there is an external electrical interlock between Up and Down contactors as illustrated in Figure 13.0.

Note:

The ceramic capacitor on the coil of the contactors acts as a snubber circuit.

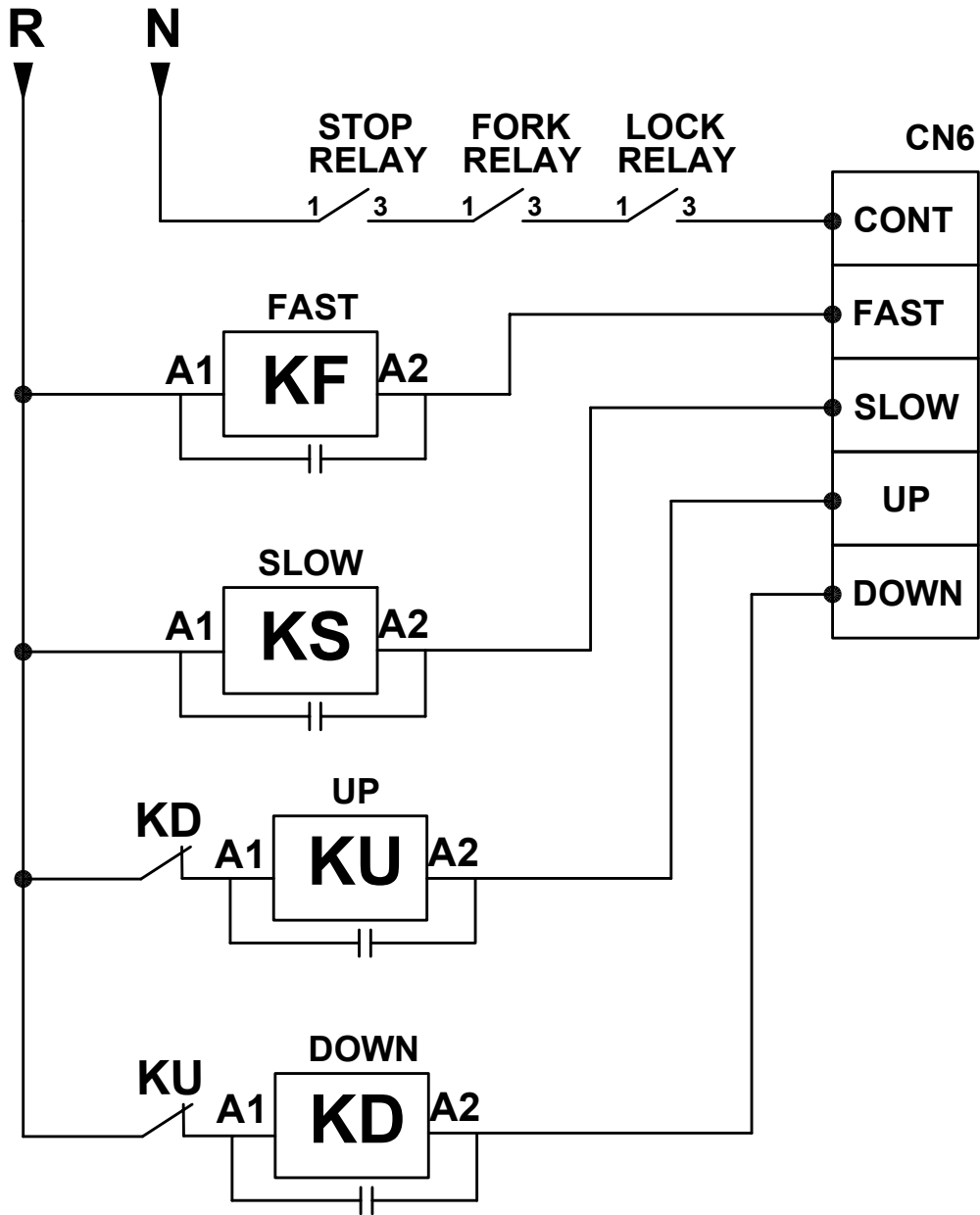


Figure 13.0 - Two-Speed System Connections

3.13 Motion Contactors

The terminals of operating the Three-Phase Distribution on the Motion contactors are wired and connected as illustrated in Figure 14.0.

- Figure 14.0 illustrates the distribution of the three phases on the motion contactors (Fast, Slow, Up and Down), alongside the method of connection and operation of the system brakes.
- Figure 14.0 represents the condition that the system brake is operated with 75V DC.

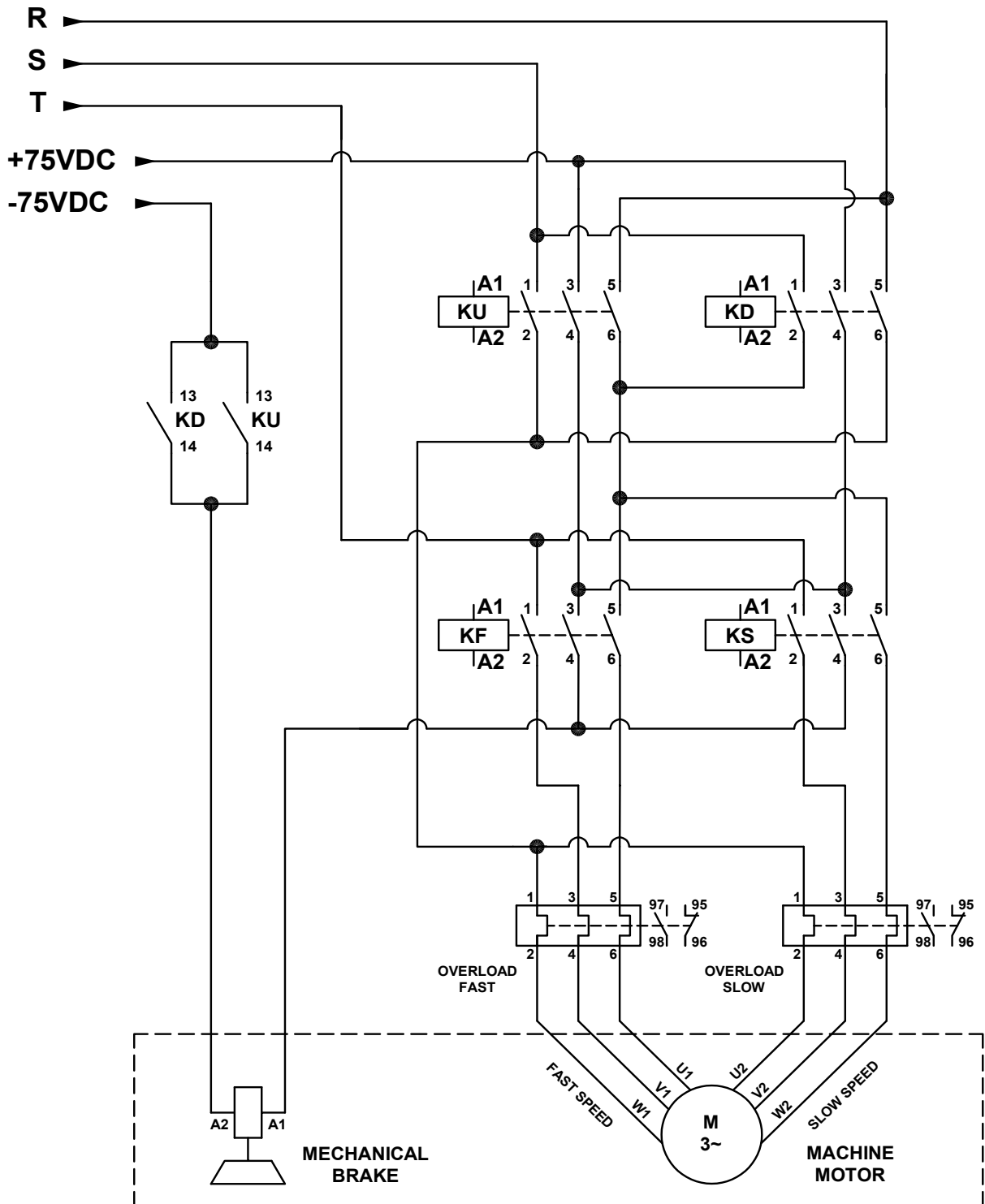


Figure 14.0 - Three-Phase and Brake Connections

3.14 Phase Correction Board (XPH-1)

The terminals of the Phase Correction Board (XPH-1) are connected as illustrated in Figure 15.0.

- The CM+ terminal (CN2) on the XC-12 series board is connected to A1 on the Phase Correction Board (XPH-1), the PHN terminal (CN2) on the XC-12 series board is connected to A2 on the Phase Correction Board (XPH-1) and the PHR terminal (CN2) is connected to B2 on the Phase Correction Board (XPH-1).
- To achieve the maximum safety in operation, it is recommended to use the auxiliary normally close point. This point is closed if the three phases exist and it is opened if one phase or more is absent.

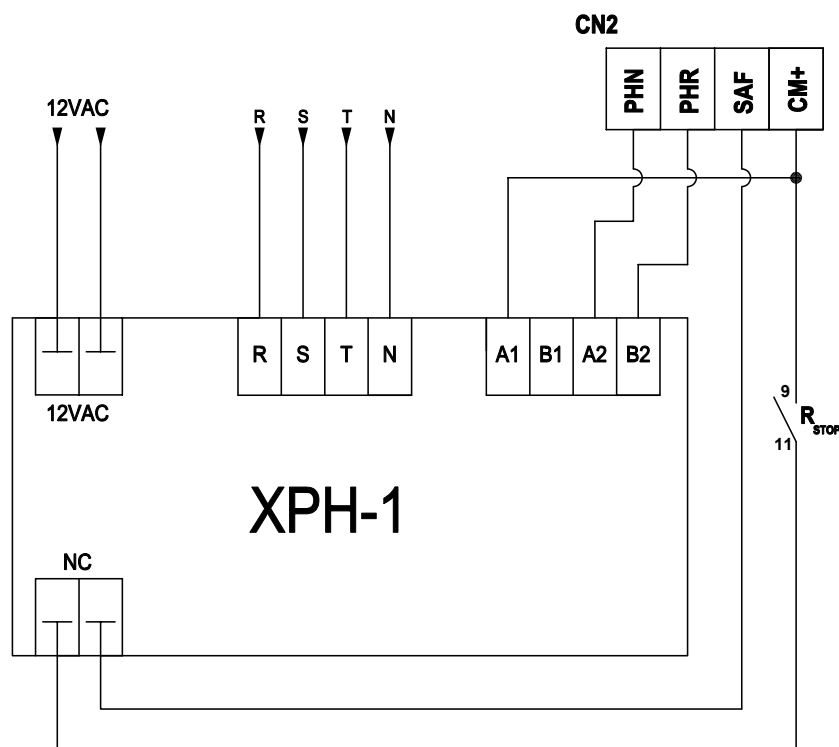


Figure 15.0 - Phase Correction Board (XPH-1) Connections

3.15 Inverter System

The terminals of the Inverter System are connected as illustrated in Figure 16.0.

- The motor speed and direction signals connector (CN6) are connected as illustrated in Figure 16.0.
- The Up and Down relays on the board are electrically interlocked ensuring safe direction switching in case of failure.
- The CONT terminal (CN6) should be cut off through NO (Normally Open) contacts in the safety circuits relays before connecting it to the inverter common terminal, so that the car can't move unless the safety circuits are completed.

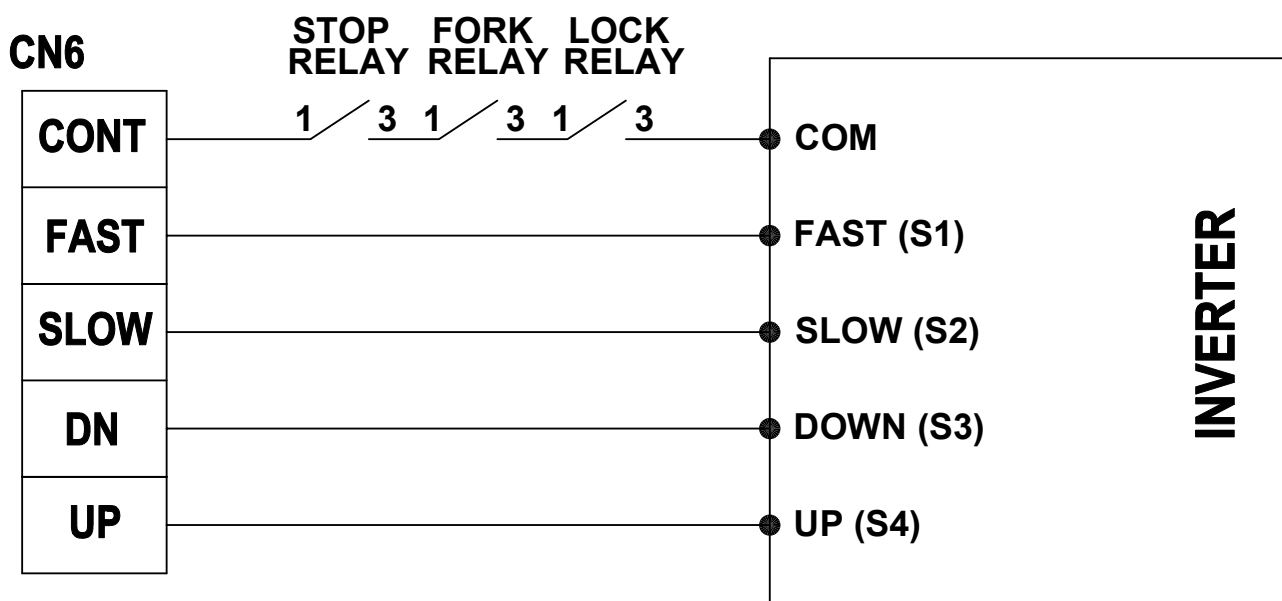


Figure 16.0 - Inverter System Connections

3.16 Safety Circuits

The terminals of the Safety Circuits are connected as illustrated in Figure 17.0.

- Figure 17.0 represents a guide for connecting Safety Circuits to the shaft terminals (CN2) on the XC-12 series board.
- The Safety Circuits are operated with 60V DC using an external relay as illustrated in Figure 17.0.
- A series connection is recommended in the following order: +60V DC, Stop Circuit, Slip Circuit, Door contacts, and Door Locks contacts respectively. This will disable elevator operation in case of malfunction or failure in any of the mentioned circuits.
- Figure 17.0 represents the condition when all safety circuits are closed, where the car can operate normally.

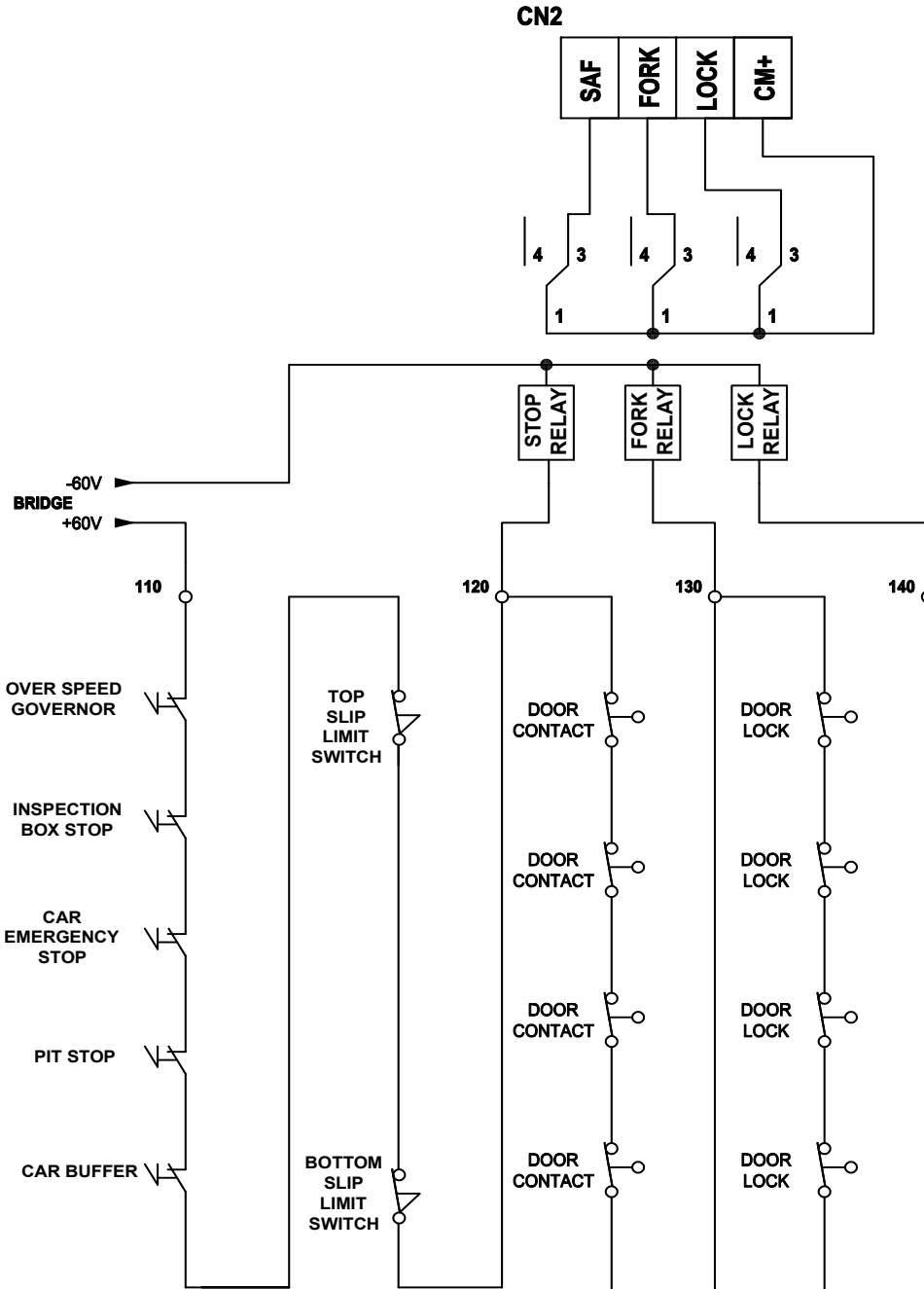


Figure 17.0 - Safety Circuit Connections

3.17 Magnetic Configuration

Figure 18.0 illustrates the configuration of the magnetic slide positions with the floor levels, according to the position of the selector and the level magnet.

- Speed switching from FAST to SLOW is done through the selector magnet switch and it's magnetic slides for all of the floors except the ground and the last stop.
- Speed switching in the ground and the last stop are done through the Up and Down limit switches.

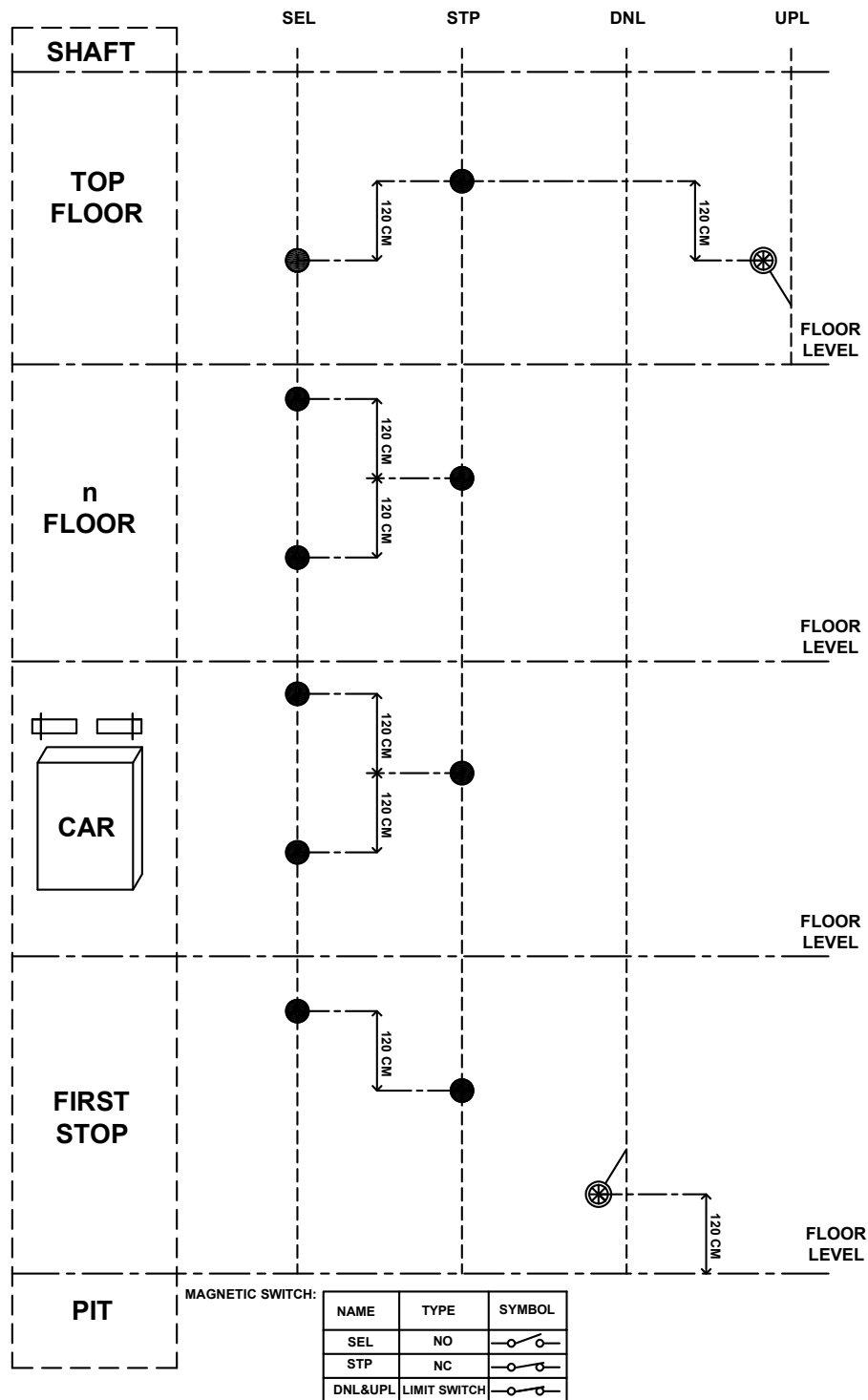


Figure 18.0 - Magnetic Configuration

3.18 Car

The terminals of the Car are connected as illustrated in Figure 19.0.

- Figure 19.0 illustrates the connection of the traveling cable terminals between the main control panel and the car for calls, indicators, inspection box, etc.

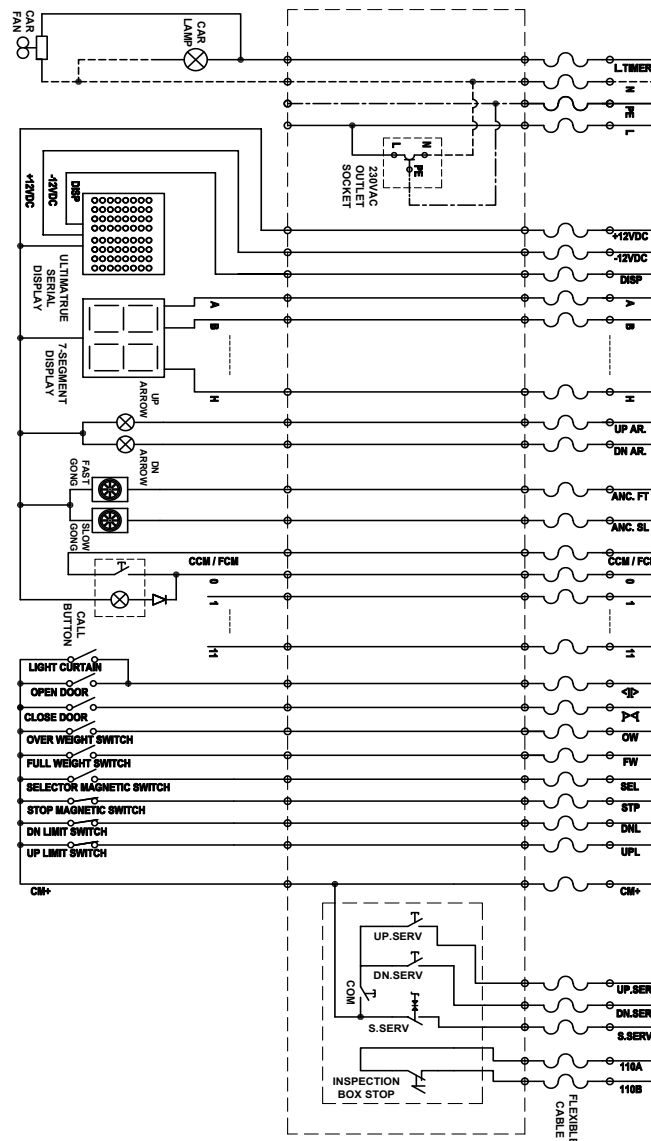


Figure 19.0 - Car Connections

4.0 Basic Programming

Programming Mode Guide

The programming mode is operated using four push buttons on the XC-12 series board.

- Reset: For entering and exiting the programming mode.
- Enter: For entering the programming mode or the programming steps, modification, and saving.
- (-) and (+) : Moving between programming steps.

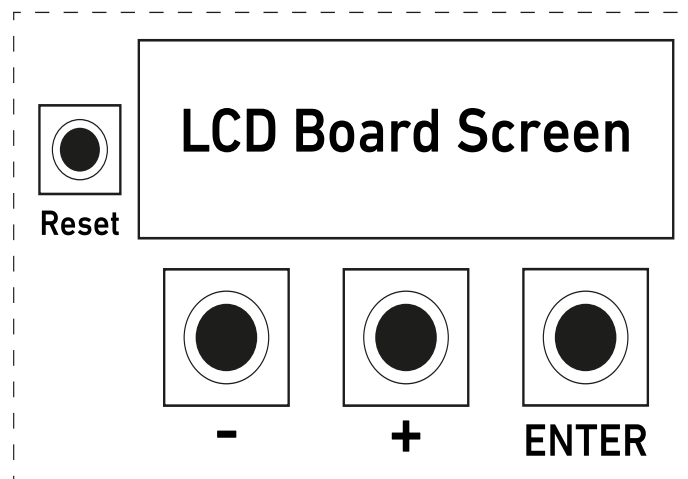


Figure 20.0 - Programming Guide Layout

Basic Programs Login

Press the RESET button for two seconds, and then press and hold ENTER during the appearance of the welcome message. The second line contains production and version information.

```
ULTIMATRUE  
XC-12Gen3.  
Y21M5-V7.34
```

When the next screen appears, release the ENTER button then Press (+) button to go to the password screen:

```
Press (+) key
```

Enter the password using (+) or (-) buttons. To go to the next digit, press ENTER.

```
Enter Password  
00000
```

Note:

The factory setting password is (00000).

After entering the correct password and pressing ENTER, the user will be directed to the basic program mode.

4.1 Program P1: Floor Number

This program is used to determine the number of active stops (doors).

- The number of active doors can be determined up to 20 stops (doors).
- Press ENTER to access this program or (+ or -) to select another program.
- After accessing this program, press (+ or -) to determine the number of stops, and then press ENTER after selection for saving. Stop numbers start from zero, thus for programming 12 stops select 11, and for programming 20 stops select 19.

P1 > Floor Number
Floor No: 11

- By pressing ENTER you will go to the Protect Mode, which enables protection against using the external calls common to register the internal calls.
- Press (+ or -) to select the mode ON or OFF.

Protect:
0 OFF

Protect: 1 ON

- When finished, press ENTER to save and to go to the next program.

4.2 Program P2: Display Mode

This program is used to determine the type of Indicator used from points A-to-H.

Press ENTER to access this program or (+ or -) to select another program.

After accessing the program, press (+ or -) to select the suitable display mode. In case of selecting 7-segment or binary indicator mode, the stop coordination screen will appear, enabling the user to select the required number to be displayed when the car is at the floor.

Display:
7SEGMENT

Display:
Floor Wire

Display:
Binary NEG

Display:
Binary POS

Note:

The left side digit (tens) can be assigned value of 'none' or '1', while the right side digit (units) can be assigned values ranging from these characters '0', '1', '2', '3', '4', '5', '6', '7', '8', '9', 'F', 'G', 'P', '-' or 'space'.

The program sequence is as follows:

- Press (+) or (-) to change the left digit.

Floor 0 : 0

- Press ENTER to go to the right digit.
- Press (+) or (-) to change the right digit.
- When finished, press ENTER and a 'Store' message will appear temporarily.
- Press ENTER again to save the number and go to the next stop (floor) or (+ or -) if you want to readjust the same stop (floor).
- Repeat the previous steps, until all stops (floors) are assigned the required display pattern.

4.3 Program P3: LED Matrix (XD-S)

This program is used to assign the required two-character alphanumeric combination for each stop that will be used with the RS232 serial indicator.

Note:

Only Ultimatrue Engineering Industries' elevator control Serial Indicators (XD-S) can be used.

- Press ENTER to access this program or (+ or -) to select another program.
- When using the serial indicator, complete ASCII printable characters are available for assignment to each of the two digits thus offering a very big symbol/character combination for any stop.
- After accessing the program, press (+ or -) to adjust each digit location as follows:

Floor 0 : 0

- Press (+) or (-) to change the left digit.
- Press ENTER to go to the right digit.
- Press (+) or (-) to change the right digit.
- When finished, press ENTER and a 'Store' message will appear temporarily.

- Press ENTER again to save the number and to go to the next stop or (+ or -) if you want to readjust the same stop.
- Repeat the previous steps, until all stops are assigned the required display pattern.

4.4 Program P4: Door Type

This program is used to select the suitable door type.

- Press ENTER to access this program or (+ or -) to select another program

Door: Manual

Door: Semi-Auto

Door: Wait - Close

Door: Wait - Open

- After accessing this program, press (+ or -) to select the suitable door type.
- When finished, press ENTER to save and to go to the next program.

4.5 Program P5: System Type

This program is used to select the suitable system type.

- Press ENTER to access this program or (+ or -) to select another program.
- After accessing this program press (+ or -) to select the used system type.

System: One Speed

System: Two Speed

- When finished, press ENTER to save and to go to the next program.

Note:

When the multi-speed inverter is perated, the two-speed system will be selected.

4.6 Program P6: Collective

This program is used to select the method of serving landing calls.

- Press ENTER to access this program or (+ or -) to select another program.
- After accessing this program, press (+ or -) to select the required collective type.
 - DOWN COLL.: Serving calls in the DOWN direction only.

Collective: Down coll.

- SEMI COLL.: Serving calls in the UP and DOWN directions.

Collective: Semi coll.

- APB: Serving one call at a time.

Collective: APB coll.

- When finished, press ENTER to save and to go to the next program.

4.7 Program P7: Wait Time

This program adjusts the time that the car will wait when arriving at a stop before moving again to serve the next call.

- Press ENTER to access this program or (+ or -) to select another program.
- After accessing this program, press (+ or -) to set the required time from 2-to-30 seconds.

Wait Time: 4

- When finished, press ENTER to save and to go to the next program.

4.8 Program P8: CAM Time

This program adjusts the waiting time from the beginning of the CAM relay on the board working till lock closure.

- Press ENTER to access this program or (+ or -) to select another program.
- After accessing this program, press (+ or -) to set the required time from 2-to-10 seconds for manual doors.

CAM Time: 3

Note:

For automatic doors, the user can select different periods of time for opening and closing the door.

CAM Open: 3

CAM Close: 3

- When finished, press ENTER to save and to go to the next program.

4.9 Program P9: Slow Time

This program adjusts the maximum time for moving the car with the SLOW speed, after which the car will automatically halt.

- Press ENTER to access this program or (+ or -) to select another program.
- After accessing this program, press (+ or -) to set the required time from 4-to-25 seconds.

Slow Time: 8

- When finished, press ENTER to save and to go to the next program.

4.10 Program P10: Fast Time

This program adjusts the maximum time for moving the car with the FAST speed, after which the car will automatically halt.

Note:

In case of the unavailability of a selector and floor-level pulses, the Fast Time program will trigger an event to stop the motor and XC-12 series operations until the issue is resolved. In case of the availability of floor level pulses only, the car will continue moving in the same direction until it reaches the upper or lower limit switch, then moves at the SLOW speed, then stops at the floor level. This scenario ensures the safe evacuation of passengers in all Fast Time events.

- Press ENTER to access this program or (+ or -) to select another program.
- After accessing this program, press (+ or -) to set the required time from 10-to-90 seconds.

Fast Time: 15

- By pressing ENTER you will go to the supervisor step selection to specify how to get back to the normal mode of operation in case of a Fast Time Error.
- Press (+ or -) to select the mode ON or OFF.

- The supervisor mode ON will keep the XC-12 series out of function displaying Fast Time Error even if the control board is reset, while supervisor mode is OFF normal operations of the XC-12 series board are present when reset.
- To quit the supervisor mode ON and return to normal mode of operation, the XC-12 series must enter the Inspection Mode and exit it.
- This action ensures that a qualified person supervises the cause of the Fast Time Error before the elevator is back to normal operations again.
- When finished, press ENTER to save and to go to the next program.

4.11 Program P11: Lamp Time

This program adjusts the time for the car light.

- Press ENTER to access this program or (+ or -) to select another program.
- After accessing this program press (+ or -) to set the required time from 1-to-90 seconds.

Lamp Time: 8

- When finished, press ENTER to save and to go to the next program.

4.12 Program P12: Phase Sequence

This program refers to the car motion direction according to the phase sequence, this program can't be adjusted.

4.13 Program P13: Keycode

This program adjusts the preference of using the built-in COP (Car Operating Panel) as a three-digit access code entry keypad. The selected code sequence should be selected within the range of operating car calls terminals on the XC-12 series.

- Press ENTER to access this program or (+ or -) to select another program.
- After accessing this program, press (+ or -) to select the mode ON or OFF.

KeyCode
0 OFF

KeyCode
1 ON

- When selecting the ON mode, you will be directed to a screen to adjust the required access sequence.

SET KEY CODE
<<123>>

- Press (+ or -) to change the first digit, and then press ENTER to move and adjust the second and third digits.
- When finished, press ENTER to save and to go to the next program.

5.0 Advanced Programming

Advanced Programs Login

Press the RESET button for two seconds, then press and hold ENTER during the appearance of the welcome message. The second line contains production and version information.

```
ULTIMATRUE  
XC-12Gen3.  
Y21M5-V7.34
```

When the next screen appears, release the ENTER button then Press and hold (-) button then press the (+) button to go to the password screen:

```
PRESS (+) KEY
```

Enter the password using (+) or (-) buttons. To go to the next digit, press ENTER.

Note:

The factory setting password is (00000).

ENTER
PASSWORD
00000

- After entering the correct password and pressing ENTER, the user will be directed to the advanced program mode.

5.1 Program P14: CAM Trials

This program adjusts the number of CAM trials after which the control board will suspend operation. Selecting '0' means that the control board will drop all calls after the default CAM action and the control board can accept re-registering calls and repeating the CAM action indefinitely.

Note:

In case the CAM fails to close the lock with the number of defined programmed trials, all calls are canceled to protect the CAM from overheating or damage.

- Press ENTER to access this program or (+ or -) to select another program
- After accessing this program, press (+ or -) to set the required CAM trials from 0-to-10 times.

CAM Trials: 0

- When finished, press ENTER to save and to go to the next program.

5.2 Program P15: Fork Time

This program adjusts the time duration where the elevator remains idle and there are registered calls and the door contact is open. After this time, all calls are canceled.

Note:

Fork Time for manual doors, the time range is from 1-to-4 minutes, after the time has elapsed, the controller will cancel all calls, in case of failure of the manual door's close-contact (Floor). Fork Time for automatic doors, the door contact (fork) is used as an auxiliary lock point for the internal automatic door. It is recommended to connect it to the CM+ terminal if it's not intended to be used.

- Press ENTER to access this program or (+ or -) to select another program.
- After accessing this program, press (+ or -) to set the required time from 1-to-4 minutes.

Fork Time: 4

- When finished, press ENTER to save and to go to the next program.

5.3 Program P16: Park Time

This program adjusts the period of time during which the elevator remains idle with no registered calls (Park Time). After this period, the elevator will automatically move to a preset parking stop (Park Floor). To cancel this feature, adjust the park time to a value greater than 29 minutes, the screen will display a '0 OFF' message.

- Press ENTER to access this program or (+ or -) to select another program.
- After accessing this program press (+ or -) to set the required time from 1-to-29 minutes.

Park Time: 4
1 ON

- Press ENTER to save and go to the next screen, through which the parking stop (floor) is determined.

Park Floor: 0

- When finished, press ENTER to save and to go to the next program.

5.4 Program P17: Operation Timeout

This program adjusts the period of time after which the XC-12 series will stop working. This function is useful for forced routine maintenance checks. The period can be adjusted from 1-to-6 months.

- Press ENTER to access this program or (+ or -) to select another program.
- After accessing this program, press (+ or -) to set the required parameter.
- OFF: The XC-12 series will operate indefinitely.

```
Oper.Timeout:  
0 OFF
```

- ON: The XC-12 series will operate for the defined period.

```
Oper.Timeout:  
1 ON
```

- The ON selection will initiate the period screen to adjust the operation period from 1-to-6 months.

```
Period:  
1 Month
```

- RESTART: The operation time will be reset and disabled.

Oper.Timeout: 2 Restart

- When finished, press ENTER to save and to go to the next program.

5.5 Program P18: Service Telephone

This program adjusts the service company telephone number so that it can be displayed on the LCD board screen in case of operation period timeout which stops the elevator from working.

- Press ENTER to access this program or (+ or -) to select another program.
- After accessing this program, press (+ or -) to set the required telephone digit by digit.

Service Tel. 000000000000

- When finished, press ENTER to save and to go to the next program.

5.6 Program P19: Set Password

This program enables you to change the password to log on into the two programming modes.

- Press ENTER to access this program or (+ or -) to select another program.
- After accessing this program, press (+ or -) to set the first digit of the basic password.

Basic Password
>>00000<<

- Press ENTER to move to the next digit and adjust it.
- Repeat the same sequence for the five digits.
- Press ENTER to save and go to advanced password settings.

Advanced Password
>>00000<<

- Enter the required password in the same manner of the basic password.
- When finished, press ENTER to save and to go to the next program

5.7 Program P20: Active Floor

This program can enable or disable every landing or car call button independently. This function is useful for intentionally making certain floor(s) out of service. 'EXTERNAL' stands for landing calls while 'INTERNAL' stands for car calls.

Note:

The Active Floor program facilitates maximum programming control, in which excluding a stop (internally, externally, or both) is set using the Active Floor programming mode, without the necessity of removing the elevator stops' wiring from the XC-12 series.

- Press ENTER to access this program or (+ or -) to select another program.
- After accessing this program, press (+ or -) to set the required parameter as preferred.
- OFF: The indicated stop (floor) number call button will be disabled internally or externally.

Floor 0: External 0 OFF

- ON: The indicated stop (floor) number call button will be enabled internally or externally.

Floor 0: External
1 ON

- After choosing, press ENTER then press (+ and -) together to confirm selection.

Floor 0: External
Press code

- When finished, press ENTER to save and to go to the next program.

5.8 Program P21: Lock Error

This program can enable or disable the lock error function. This program is useful for continuously monitoring the lock contact during each call served at any stop. This feature is supposed to ensure the safety of the door lock when activated. In this sense, it is necessary to open the lock contact every time the car stops on the floor. In case of not opening the lock contact, the car will not move to ensure passenger's safety.

- Press ENTER to access this program or (+ or -) to select another program.
- After accessing this program, press (+ or -) to set the required parameter as preferred.

Lock Error:
0 OFF

Lock Error:
1 ON

- After choosing, press ENTER then press (+ and -) together to confirm selection.

Lock Error:
Press Code

- When finished, press ENTER to save and to go to the next program.

5.9 Program P22: Max Calls

This program can select the maximum number of car calls that can be registered at a time. This feature is supposed to secure the elevator from any abnormal passenger behavior, where the registration of car calls greater than the preset Maximum Calls will not be accepted.

- Press ENTER to access this program or (+ or -) to select another program.
- After accessing this program, press (+ or -) to set the required parameter as preferred.

Max Calls:
0 OFF

Max Calls:
4 Calls

- After choosing, press ENTER then press (+ and -) together to confirm selection.

Max Calls:
Press Code

- When finished, press ENTER to save and to go to the next program.

5.10 Program P23: Fire Man

This program can enable/disable the fireman actions taken in case of fire alarm signals. The Fire Floor is the default stop that the elevator automatically will go to in case of fire.

- Press ENTER to access this program or (+ or -) to select another program.
- After accessing this program, press (+ or -) to set the required parameter as preferred.

Fire Man:
0 OFF

Fire Man:
1 ON

- After choosing the ON mode, press ENTER then press (+ and -) together to confirm selection.
- Then the screen determining the Fire Floor will be displayed.

Fire Man:
Press Code

Fire Floor: 0

- Press (+ or -) to determine or set the required floor as preferred.
- When finished, press ENTER to save and to go to the next program.

5.11 Program P24: Factory Set

This program is used to restore all the XC-12 series settings to its factory defaults.

- Press ENTER to access this program or (+ or -) to select another program.

Factory Set:
Press Code

- After accessing this program, press (+ and -) together to confirm selection.

Factory Set: OK

- When finished, press ENTER to save and to go to the next program.

5.12 Program P25: Service Control (Inspection Mode)

This program enables the operator to control the elevator in inspection mode using programming buttons, so that the (+) button is used to move the car in the UP direction, the (-) button is used to move the car in the DOWN direction, the ENTER button to switch the speed of the elevator before moving the car, and the RESET button is used to exit this mode.

Note:

There exists an interlock between the activation of the Service Control (Inspection Mode) program and the inspection signal from the shaft to prioritize maximum safety for the technician.

- Press ENTER to access this program or (+ or -) to select another program.
- After accessing this program, press (+) to activate this program, and press ENTER to confirm the selection.

Manual Service: 0 OFF

Manual Service: 1 ON

- The following screen will appear through which the elevator motion speed can be selected between FAST or SLOW.

- Press ENTER to switch the speed of the elevator before moving the car.

F2 S4 SLOW: ERR: SERV 8

F2 S4 FAST: ERR: SERV 8

- For moving the car, (+) or (-) buttons are used according to the desired direction.
- When finished, press ENTER to save and to go to the next program.

6.0 Additional Programming

6.1 Binary Indicator (XD-B)

Programming Values	Displayed Symbols on Binary Indicator (XD-B)
0	BLANK
1	P1
2	G
3	M
4	1
5	2
6	3
7	4
8	5
9	6
10	7
11	8
12	9
13	10
14	11
15	12
16	13
17	14
18	15
19	16
20	17
21	18
22	19
23	20
24	21
25	22

Programming Values	Displayed Symbols on Binary Indicator (XD-B)
26	23
27	24

Table 6.0 - Binary Indicator (XD-B) Programming

7.0 Malfunction Diagnosis

7.1 LCD Board Screen

As an advantage of the XC-12 series, faults and errors can be viewed on the LCD board screen in both error codes and notations.

Error Code	Error Notation	Description
2	MTR	Motor Over Current Error
3	UPLM	UP Limit Error
4	DNLM	DOWN Limit Error
5	S-F, S-L	Safe Fork and Safe Lock
6	FORK	Manual Door Contact Error
7	LOCK	Door Lock Contact Error
8	SERV	Inspection Mode
9	STOP	Car Stop
10	FIRE	Fire Alarm
11	RESERVED	---
12	FSTT	Fast Time Error
13	O.WT	Overweight
14	PHFL	Phase Fail Error
	*	Short Circuit On The Call Push Button

Table 7.0 - LCD Board Screen Error View

7.2 7-Segment Indicator

Error Notation	Description
E	Open UP or Down Limit
L	Safe Lock
C	Car Stop
H	Phase Fail Error
F	Fast Time Error
U	Fork Time Error
n	MTR (Motor Overload)
≡	Slip, Inspection Mode, and Overweight

Table 8.0 - 7-Segment Indicator Error View

7.3 Serial Indicator (XD-S)

Error Notation	Description
MT	Motor Overload
UL	Open UP Limit
DL	Open DOWN Limit
LK	Safe Lock Error
ST	Car Stop
FR	Fire
SV	Inspection Mode
CE	Serial Indicator Communication Error
DR + Floor Number	Open Door Contact and Fork Time Error
PH	Phase Fail Error
FT	Fast Time Error
OW	Overweight

Table 9.0 - Serial Indicator Error View

8.0 Disclaimer

The manufacturer shall have no obligation for damage, injury, or any legal responsibility incurred directly or indirectly from the use of any of the products. The user shall observe safe and lawful practices including, but not limited to, those set forth in this document. Should further information be desired or should particular obstacles arise which are not specifically covered for the client's purposes, the matter should be referred to Ultimatrue Engineering Industries.

Ultimatrue Engineering Industries reserves the right to make technical changes or modify the contents of this document without prior notification. With regard to purchase orders, the agreed particulars shall prevail. Ultimatrue Engineering Industries does not accept any responsibility for possible lack of information in this document.

Ultimatrue Engineering Industries reserves all rights in this document and in the subject matter and illustrations contained therein. Any reproduction, disclosure to third parties, or utilization of its content - in whole or in part - is forbidden without prior consent of Ultimatrue Engineering Industries.

© Copyright 2023 Ultimatrue Engineering Industries.

All rights reserved.

9.0 Warranty

Ultimatrue Engineering Industries warrants the XC-12 series against all manufacturing defects for a period of one year after the date of installation and operation, provided that the user strictly adheres to all technical specifications and instructions illustrated in the user manual. The warranty is not valid in the following cases:

- Defects caused by failures or mistakes in the XC-12 series connections or wiring.
- Defects caused by incorrect introduction of high or low voltage.
- Defects caused by misuse and non-compliance with the illustrated operating instructions in the user manual.
- Defects caused by intended damages or fire.

Index:

7-Segment Indicator, 5-6, 23, 25
54, 91.

A

Active Floor, 79.
Advanced Programming, 5,
70-71.
Automatic, 5-6, 10, 18-19, 33-34,
35, 63, 68, 73.

B

Basic Programming, 51-52.
Binary Indicator, 23, 54, 89.

C

CAM, 6, 32, 34-35, 42-43, 63, 72.
Control System, 11.

D

Diagnosis, 5, 90.

E

Error, 5, 12, 65-66, 81, 90-92.

F

Floor Wire Indicator, 23,
26-27, 54.
Fork, 5, 13, 73, 90-92.

H

Hydraulic, 5-6, 10, 30, 35, 41-42,
44-45, 59, 68.

I

Inverter, 10, 40, 59.
Inspection, 6, 8, 13, 18, 20, 42,
50, 60, 66, 87, 90-92.

M

Magnet, 13, 15, 42, 48-49.
Manual, 5, 10, 32, 58, 63, 73,
87, 90.
Motor, 5, 10, 16, 40-41, 43, 65,
68, 73, 87, 90.

P

Phase, 5-6, 9, 12, 33-35, 38-39,
42, 68, 90-92.

S

Semi-Automatic, 5-6, 10, 35, 58.
Serial Indicator, 5-6, 23-24, 56,
92.
Shaft, 6, 10, 13-17, 46, 87.

X

XC-12, 5, 8-9, 11, 13, 15, 20, 23,
25-26, 28, 32, 34, 42, 51-52, 65,
66, 68-70, 75, 79, 85, 90, 94.
XD-B, 5, 23, 89.
XDP-2W, 5.
XD-S, 5, 23, 56, 92.
XD-2W, 5.
XE-1, 5-6, 11, 26.

Ultimatrue Engineering Industries

14 Obour Buildings, Salah Salem St.

11811 Cairo

Egypt

+20 102 366 6065

info@ultimatrue.com

www.ultimatrue.com

As standards, specifications, and design vary over periods of time, please ask for confirmation of the information provided in this publication.

© 2023 Copyright Ultimatrue Engineering Industries. All rights reserved.

XC-12 Series - Version 2.0.
